

Hard Disk Drive Destroyer

HDD destroyer

HDB-20V-E

Instruction Manual

Thank you so much for purchasing our company's Disk Breaker. This instruction manual describes the handling method, precautions and failures of this machine. Both of a user who uses this machine for the first time and a user who has used it should read this instruction manual carefully and understand the content sufficiently, and use this machine having this instruction manual on hand all the time.

Nittoh Zohki co.,LTD

INDEX

1 For using this product safely.	1
Outline of equipment	1
Precautions on work	2
2 Name of each part	5
3 Before using the product	5
3-1) Confirmation of product	3
3-2) Media that can be processed and maximum number of media that can be processed at the same time	3
4 Operation method	4
4-1) Operation method	4
Check the destruction completion indicator	4
5 Quick Start Guide	14
5-1) Operating	
5-2) Trouble shooting	15
6 Guarantee	16
5-1) Guarantee period	
5-2) Guarantee item	
5-3) Items excluded from the guarantee range	
7 Failure diagnosis table	17

1. For using this product Safety

Outline of equipment

This product can surely crushed the media to be discarded physically and carry out the satisfactory processing not to read the internal information when the PC etc. is discarded.

The manual force is converted to the hydraulic pressure once to generate a big force and the solid hard disk is crushed.

In order to use this product properly and prevent the harm to you and other people and the loss of property, this instruction manual uses three icons. The indication and the meaning are shown below. Understand the content and read the body text.



DANGER

This icon indicates the content that may cause death or heavy injury of a user stringently if this indication is ignored and the product is treated wrongly.



WARNING

This icon indicates the content that may cause death or heavy injury of a user if this indication is ignored and the product is treated wrongly.



CAUTION

This icon indicates the content that may cause injury of a user or only the physical loss if this indication is ignored and the product is treated wrongly.



WARNING

- Ensure the working environment.
Remove the object that may injure or harm the user (high temperature, fire, movable object, sharp object, corrosive object etc.) from the periphery of working area of this product.

The use temperature range is 10 to 40°C. In other environment, the radical performance may not be exercised.



CAUTION

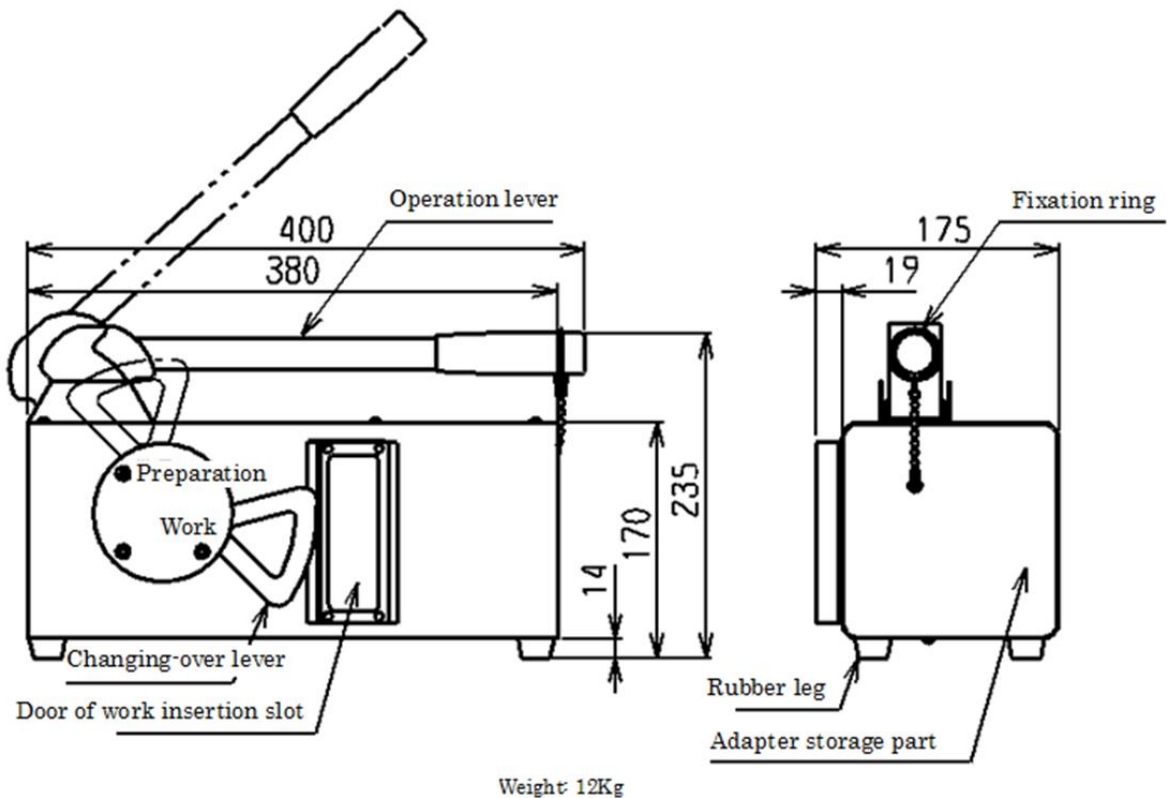
- Avoid the rain and humidity and do not use the product at the dusty place.
- During the summer season, use the product avoiding the direct sunlight.
Otherwise, the temperature rises and it may affect the processing and the equipment harmfully.



CAUTION

- When you clean off the dirt after the destruction, be sure to wear the gloves not to be injured by sharp projection portion etc.

2. Name of each Part



3. Before using the product

3-1) Confirmation of product

Check there is no damage or oil leakage during the transportation.

Check the regular included items.

Accessory HDB-20V-E _____ 1 each

Mobile adapter, adapter1 (dedicated to 2.5-inch HDD), Adapter2 (dedicated CD, DVD, DVD caddy, 3.5-inch floppy disk, Zip disk, and 3.5- and 5-inch MO disk), dedicated brush, flat-blade screwdriver, carrying bag

3-2) Media that can be processed and maximum number of media that can be processed At the same time

3-3) Media and maximum numbers that can be processed

3.5-inch hard disk (thickness of 1.6 inches = 41 mm or less)	_____	1 unit	} *
2.5-inch hard disk	_____	1 unit	
5-inch MO caddy (cartridge)	_____	1 piece	
DVD caddy (cartridge)	_____	up to 2 pieces	
Bare CD/DVD	_____	up to 5 pieces	
5-inch MO disk	_____	up to 2 pieces	
3.5-inch MO disk	_____	up to 2 pieces	
3.5-inch floppy disk	_____	up to 2 pieces	
Zip disk	_____	up to 2 pieces	
1-inch hard disk (optional)	_____	up to 2 units	
1.8-inch hard disk (optional)	_____	up to 1 units	
USB disk	_____	up to 1 units	



DANGER

Do not process any item other than above. Do not carry out the processing by combining the items above.
if the destructive shaft bites the media, decrease the number of media and carry out the processing.

4 Operation method

4-1) Operation method

- 1: Remove the fixation ring from the operation lever.
- 2: Rotate the changing-over lever from the working position to the preparation position.
- 3: Open the door of insertion slot and insert the media to be crushed to the end of destructive part.
(Pay attention to the insertion direction etc.)

CAUTION



Be sure to remove the screws and bracket for fixing the hard disk before the processing.

Figure 11

3.5inchi HDD (maximum thickness: 20mm or less)

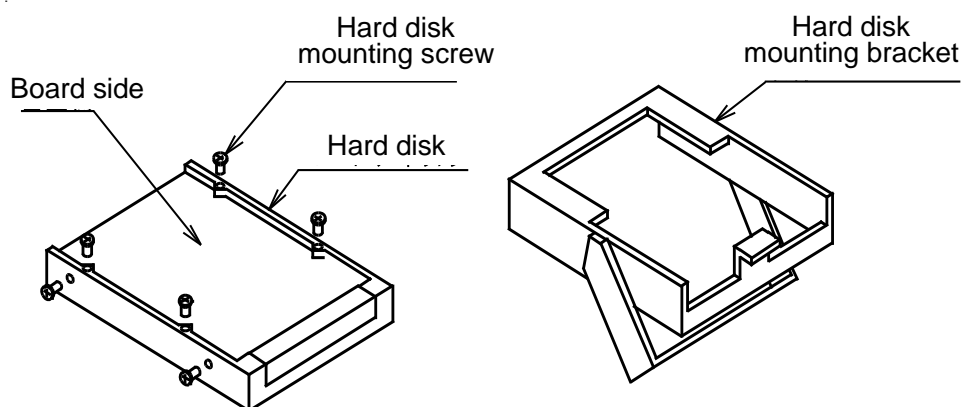
Set the disk position to **front side** and set the **board to right side**, and insert the hard disk **until it hits against the end**.



Warning

Be sure to remove any and all screws and brackets used to secure the hard disk before processing.

Fig.1 Hard disk mounting screws and bracket



IMPORTANT: Remove all screws and brackets used to mount the hard disk. If they are left attached, the hard disk may be caught by the four destruction pins and the drive cannot be removed from the unit. (Thus creating a service call)

- For a 3.5-inch hard disk (maximum thickness of 41 mm or less), Fig. 1 on page 5

For a 3.5-inch hard disk, face the connector terminal side (disk side) frontwards and the board to the right of the machine and insert it until it touches the back of the unit. The direction and position of insertion are different depending on the types of media and drives to be destroyed. When you do not know how to position the disk drive, insert it all the way to the back of the unit. If the destruction position is improper, the machine may be damaged. Pay careful attention to the direction and position of what is inserted and follow this guide. Please call your distributor with questions.

Confirmation of ATA S-ATA and SCSI connector 3.5-inch HDD direction of insertion

※You can confirm the kind of the HDD by checking its connector.

Please confirm the position of the connector first.

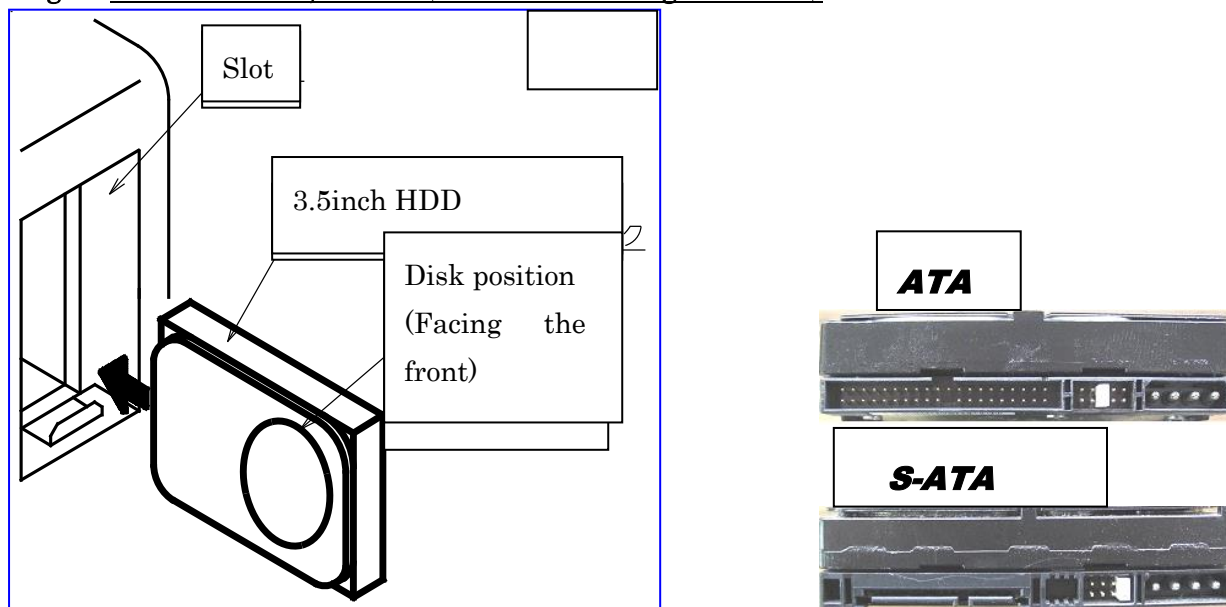
if you cannot confirm the kind of the HDD, please contact us by e-mail.

(crushbox@nittoh.co.jp)

- **When the connector is ATA or S-ATA**

IMPORTANT: For hard disk direction, face the disk part facing the front and insert it to the end. If it does not reach the end, the destruction pins may be damaged.

Fig.2 In case of ATA, S-ATA (the HDD for the general PC)

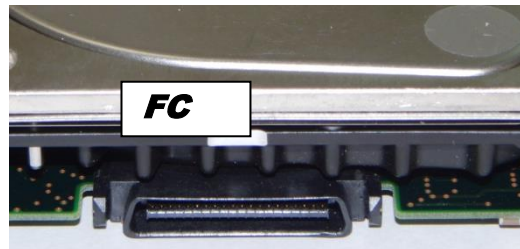
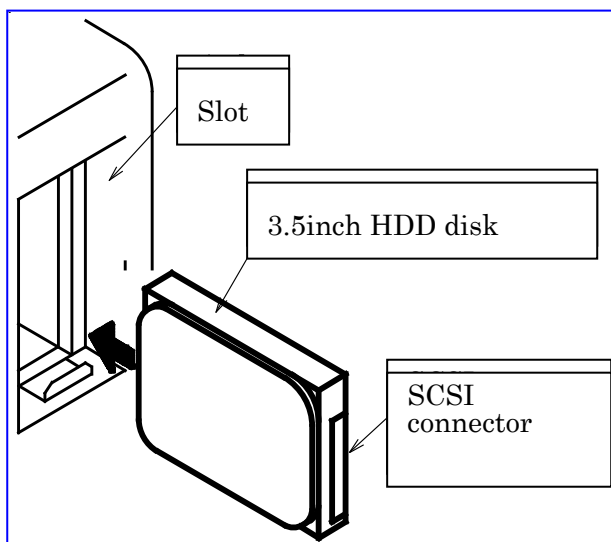


When you do not know the disk position, it sometimes helps to peel off the seal on the surface. Also, it sometimes helps to find the motor position on the back (the side with the circuit board).

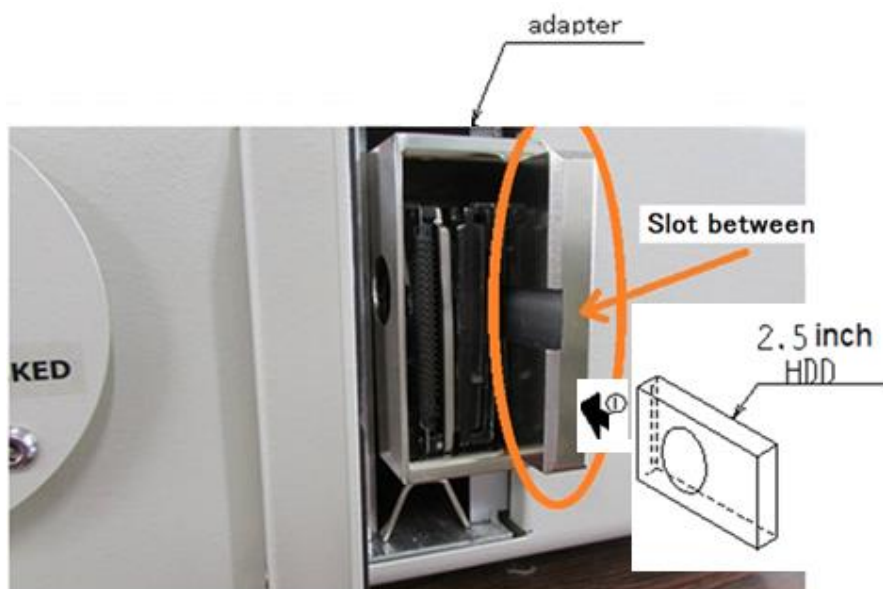
- **When the connector is SCSI or FC**

IMPORTANT: For the hard disk position, face the SCSI or FC connector terminal side (disk side) frontward and the PC board on the right side and insert it until it touches the back of the unit. The direction and position of insertion are different depending on the type of drive being destroyed.

Fig.3 For SCSI, FC (HDD used for Server/Storage PC)



● When destroying 2.5 inch HDD
Fig.4



- (1) First, insert the adapter (for 2.5-inch HDD) all the way **to the back end** of the destruction chamber **pay close attention to the direction.**
- (2) Insert a HDD on the adapter **to the end with the circuit board to the right.**



Caution

Insert a 2.5-inch hard disk along the right wall of the destruction chamber.

The processing method for when the disks are special and / or there is a difference in the destruction hole placement.

- For hard disks whose disk position is approximately in the center of the unit

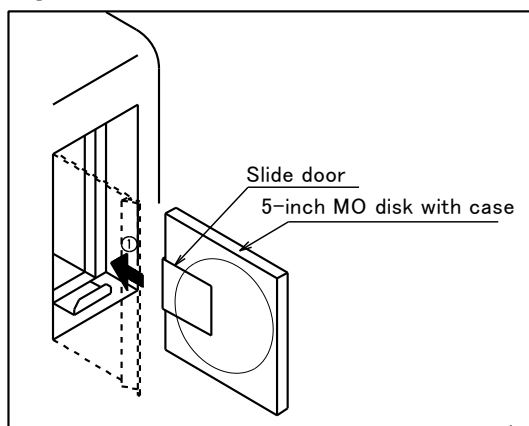
For hard disks whose disk position is approximately in the center of the body as shown in Fig. 5, **insert the drive all the way to the end of the unit and then pull it until it touches the front stopper** as shown in the figure before you process it. Though this type of hard disk seems to have suffered only small press-deformation (2 to 3 mm of press-deformation holes, while that of normal hard disks is 5 to 10 mm), **the internal disks are completely deformed and un-usable.**

When you cannot determine the kind of HDD you have, please contact us by e-mail. (crushbox@nittoh.co.jp).

- For 5 inch M/O caddy (cartridge)

Insert it all the way **to the end with the slide door facing the back.**

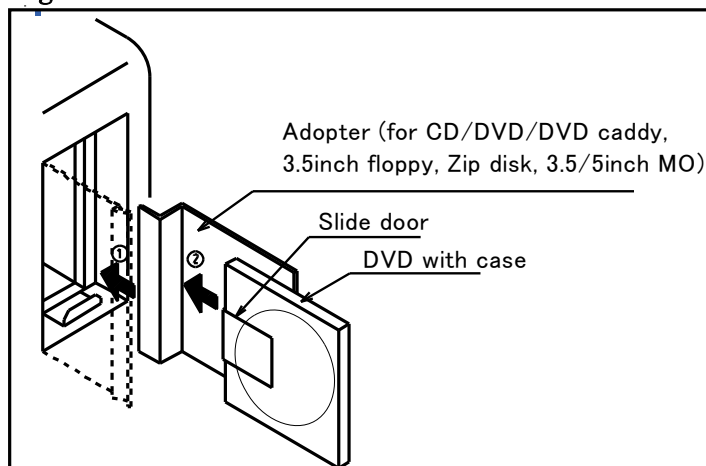
Fig.6



- For DVD caddy (cartridge)

- (1) First, insert the adapter (for CD, DVD, DVD caddy, 3.5-inch floppy disk, Zip disk, 3.5- and 5-inch MO disk) **into the end** of the destruction chamber **paying attention to the direction.**
- (2) Insert the media **all the way to the end with the slide door facing the back and the reading side to the right.**

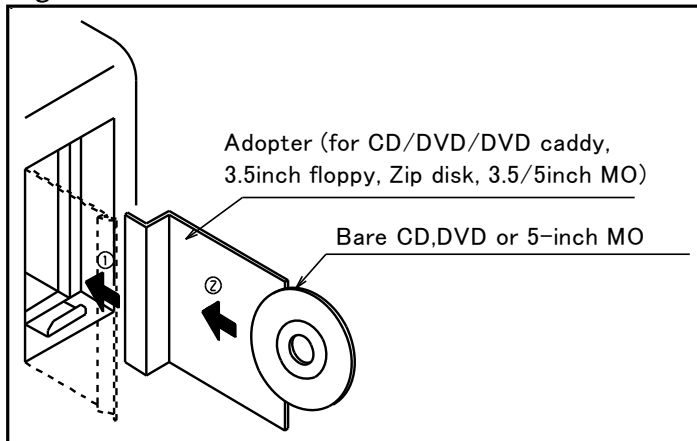
Fig 7



- **For bare CD, DVD or 5-inch MO disk**

- (1) First, insert the adapter (for CD, DVD, DVD caddy, 3.5-inch floppy disk, Zip disk, 3.5- and 5-inch MO disk) **to the end** of the destruction chamber **paying attention to the direction**.
- (2) Insert CDs, DVDs or 5-inch MO disks **to the end with the reading side to the right**.

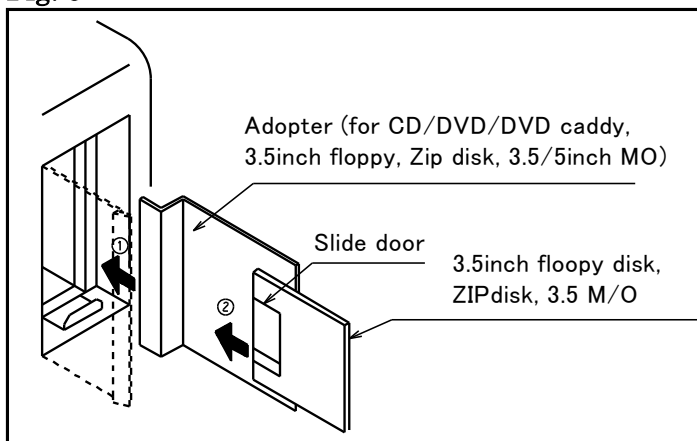
Fig 8



- **For 3.5 inch floppy disks or Diskettes, Zip disk or 3.5inch MO disk 3.5**

- (1) First, insert the adapter (for CD, DVD, DVD caddy, 3.5-inch floppy disk, Zip disk, 3.5- and 5-inch MO disk) **to the end** of the destruction chamber **paying attention to the direction**.
- (2) Insert floppy disks, Zip disks or 3.5-inch MO disks **to the end**.

Fig. 9



Caution

Be sure to remove accessories such as straps, battery, and memory card before destroying the phone.



Warning

Never put undesignated objects into the destruction chamber. Doing so may damage the machine.



Caution

According to the type of media to be destroyed, use the appropriate adapter in the right way.

Starting the destruction process

※Before beginning the destruction process, confirm the kind of media, the direction of insertion and the adapter to use before starting.

Close the door and push the start switch. **Operating time is about ten seconds.** (The start switch is lit during operation.)



Caution

If you turn off the main switch or pull out the power cord during operation, the machine stops. (In some cases, the media cannot be removed because the machine stops with the destruction shafts protruding.) In this case, turn on the main switch again and then push the start switch to operate.



Caution

The machine does not operate if the slot door is open. In addition, if you open the door while the start lamp is illuminated, the destruction shafts return to the home position for your safety. Be sure to wait for the lamp to turn off before opening the door and removing the media. When the destruction pin is moving it pushes a start-up switch, returning to the starting point and resetting the destruction pins.

During starting point return operations, the start-up lamp blinks.

After the work is complete, open the door and remove the processed media.

If there is debris such as electronic components dropped from boards in the destruction chamber, clean it using the accessory brush supplied with the unit.

When you want to stop the operation, push the emergency stop switch on the top surface.

**When you cannot judge the kind of the HDD, please contact us by e-mail.
(crushbox@nittoh.co.jp)**

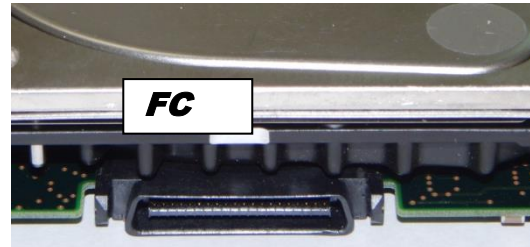
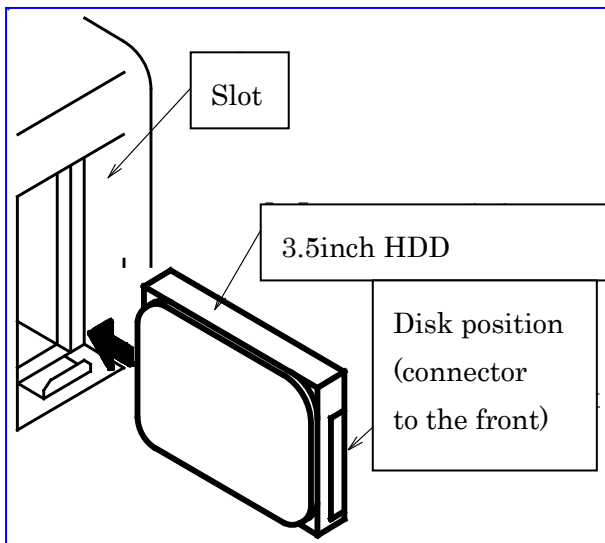
The direction of insertion by the kind of HDD

When you do not know the disk position, it sometimes helps to peel off the seal on the surface. Also, by looking at the motor position on the back (the side of the circuit board)

Direction of insertion

When the connector is SCSI or FC

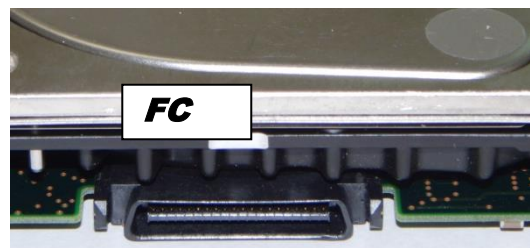
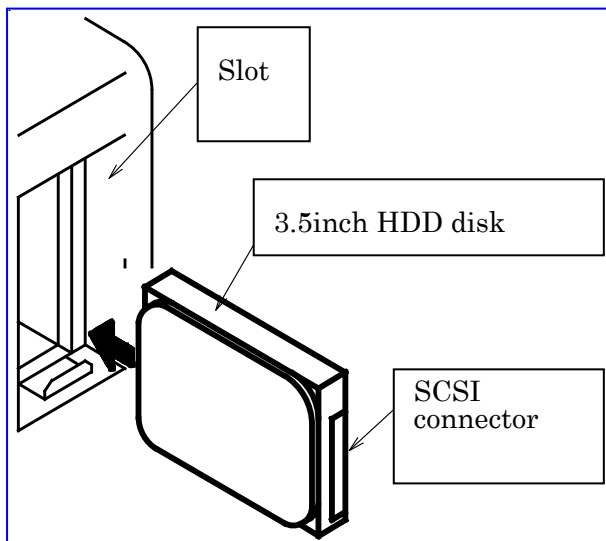
For the hard disk direction, face the SCSI or FC connector terminal side (disk side) Forward and the circuit board to the right and insert it until it touches the back end



Direction of insertion

When the connector is ATA or S-ATA

For this hard disk type, face the disk part to the front and insert it to the end.



Caution

Be sure to remove all screws and brackets used to secure the hard disk before processing. If they are left attached, the hard disk may be caught by the four destruction shafts and it cannot be removed.

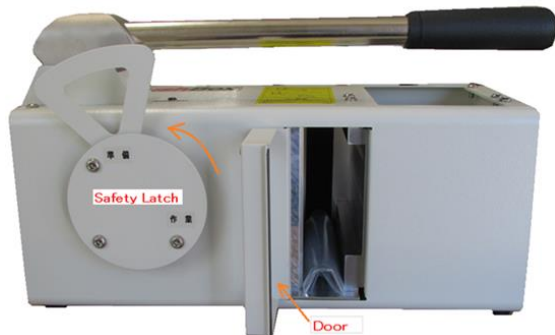
When you cannot judge the type of the HDD, please contact us by e-mail. (crushbox@nittoh.co.jp)

5 Quick Start Guide

5-1. OPERATING

1. Rotate the safety Latch to the "Load / Unload" position.

(Change the writing on the image to conform to change).

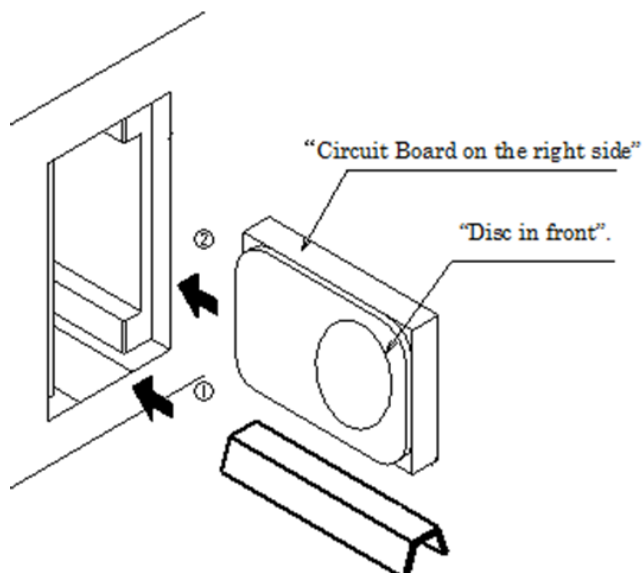


2. Open the door.

3. Insert the HDD. Change the graphic image writing by having arrows point to Disc with statement "Disc in front".

Then another arrow with statement

"Circuit Board on the right side"



4. Close the door

Job is not completed!



5. Rotate the Safety Latch to the "Work" position

6. Lift and push the "Operation Lever"

Up and down until the red indicator

Pin pops out.

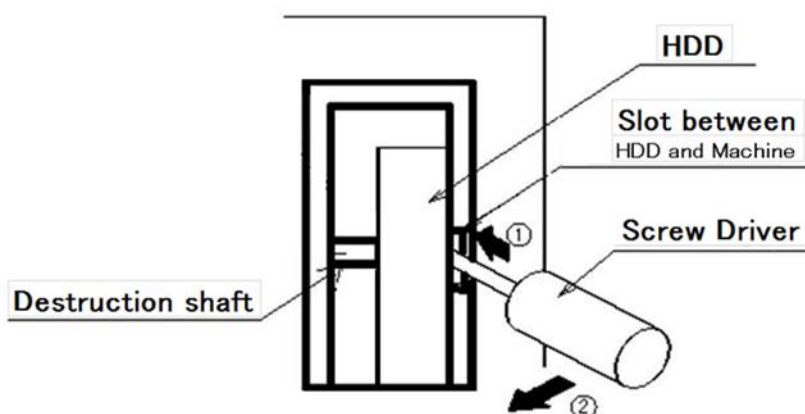
Finished



5-2.TROUBLE SHOOTING

If the "Destruction Shafts" get stuck in the HDD and do not retract;

1. Insert a flat-head screw driver between the right side on the HDD and the wail of the "Work Chamber"
2. Use the screw driver as a lever to push the HDD TOWARD the Destruction Shafts.
(I recommend a picture should be exerted.)
3. Continue until the shafts disengage from the HDD.



If you insert the HDD incorrectly, the Destruction Shafts may be damaged

Refer to the manual for further information.

6. Guarantee

5-1) Guarantee period

One year after the purchase.

5-2) Guarantee item

The failure generated during the normal use will be repaired or the product is replaced with a new one without charge if the failure is caused within the range of our company's responsibility.

5-3) Items excluded from the guarantee range

When a failure or accident is caused by wrong usage of product, wrong selection, or under the wrong system and other loss is generated by a failure or accident.

- When the product is changed or modified without consultation or approval of our company.
- When a failure is caused by abrasion or damage of consumable parts due to hard use exceeding product specification.
- When a failure is caused by any reason other than our company because the product is built in device or equipment etc.
- When a failure is caused by natural disaster.
- When the product is damaged by accident such as fire, submerging, and falling.
- Loss other than our company's product accompanied with an accident of manufacturing Equipment etc.

7. Failure diagnostics chart

Status	Cause	Measure
The destructive indicator Does not come out. The number of operations of operation lever increased.	The pressure is insufficient The peripheral temperature is Low(10°C or less) Failure of hydraulic equipment	Repair or replacement The oil hardens at low temperature, so operate the operation lever slowly. Repair or replacement
The pressure does not increase.	If this machine lies on its side For a long time during the Transportation etc., the air is sometimes mixed in the pump And the pressure(destructive Force)may not be generated.	Carry out the idling operation by closing the door without setting the work and setting the changing-over lever to the working position and moving the operation lever upward and downward several times, and then resetting the changing-over lever to the preparation position. The product is normal if the destructive indicator comes out after four operations. If the destructive indicator does not come out after one operation, carry out the operation approximately ten times. If the destructive indicator does not come out after the operations, request the repair.
The media is not crushed completely. The crushed dent is small.	The work is terminated when the destructive indicator does not come out completely.	Operate the operation lever twice when the destructive indicator comes out completely.

The failure with mark is basically repaired by the factory, so please contact the dealer.

Manufactured by
Nittoh Zohki Co., Ltd.
585 Takashi, Mobara-shi, Chiba, 297-0029, JAPAN
TEL: 81-475-26-5361
<http://www.nittoh.co.jp/>
crushbox@nittoh.co.jp